

Ministry of Education and Science of Ukraine
National University "Yuri Kondratyuk Poltava Polytechnic"
Educational and Scientific Institute of Architecture, Construction and Land Management
Department of Architecture of Buildings and Design

OFFICE CENTRE IN BUDAPEST, HUNGARY

Explanatory note

to the qualification work for the higher education degree of "Bachelor"
in the specialty "Architecture and Urban Planning"

402-Ai 17024 EN

Developed by a student of group 402-Ai
___ of June 2021 _____ Ibrahim M.
signature

Supervisor of the qualification work
___ of June 2021 _____ Dmytrenko A.Yu.
signature

Consultant on architectural structures
___ of June 2021 _____ Rudenko V.V.
signature

Consultant on occupational safety
___ of June 2021 _____ Zyma O.Ye.
signature

Admit to the graduation paper presentation

Head of the Department of Architecture of Buildings and Design
___ of June 2021 _____ Nikolaienko V.A.
signature

CONTENT

Task for development of graduation project	2
1. Urban planning and architectural solutions	4
2. Architectural structures	7
3. Occupational safety	13

	Surname, initials	Signature	Date	402-Ai 17024 EN			
Developed by	Ibrahim M.			Explanatory Note	Stage	Sheet	Sheets
Supervisor	Dmytrenko A.Yu.				DP	3	
Consultant	Rudenko V.V.				National University “Yuri Kondratyuk Poltava Polytechnik”		
Consultant	Zyma O.Ye.						
Head of Department	Nikolaienko V.A.						

1. URBAN PLANNING AND ARCHITECTURAL SOLUTIONS

The designed office building is located in the capital of Hungary – Budapest in the right bank of the city – Buda. The design area is located next to the existing monument of industrial architecture – the buildings of the old gasholders (Fig.1.1).

The building is located on the corner of two streets. Between the projected building and the territory of the former gasholder there is a parking lot for 20 cars, 4 of which are reserved for cars of people with disabilities.

The building is located latitudinally, with a long axis from west to east. From the western facade the sun protection is provided by a protection of a two-level loggia, from the south – by horizontal acting planes.

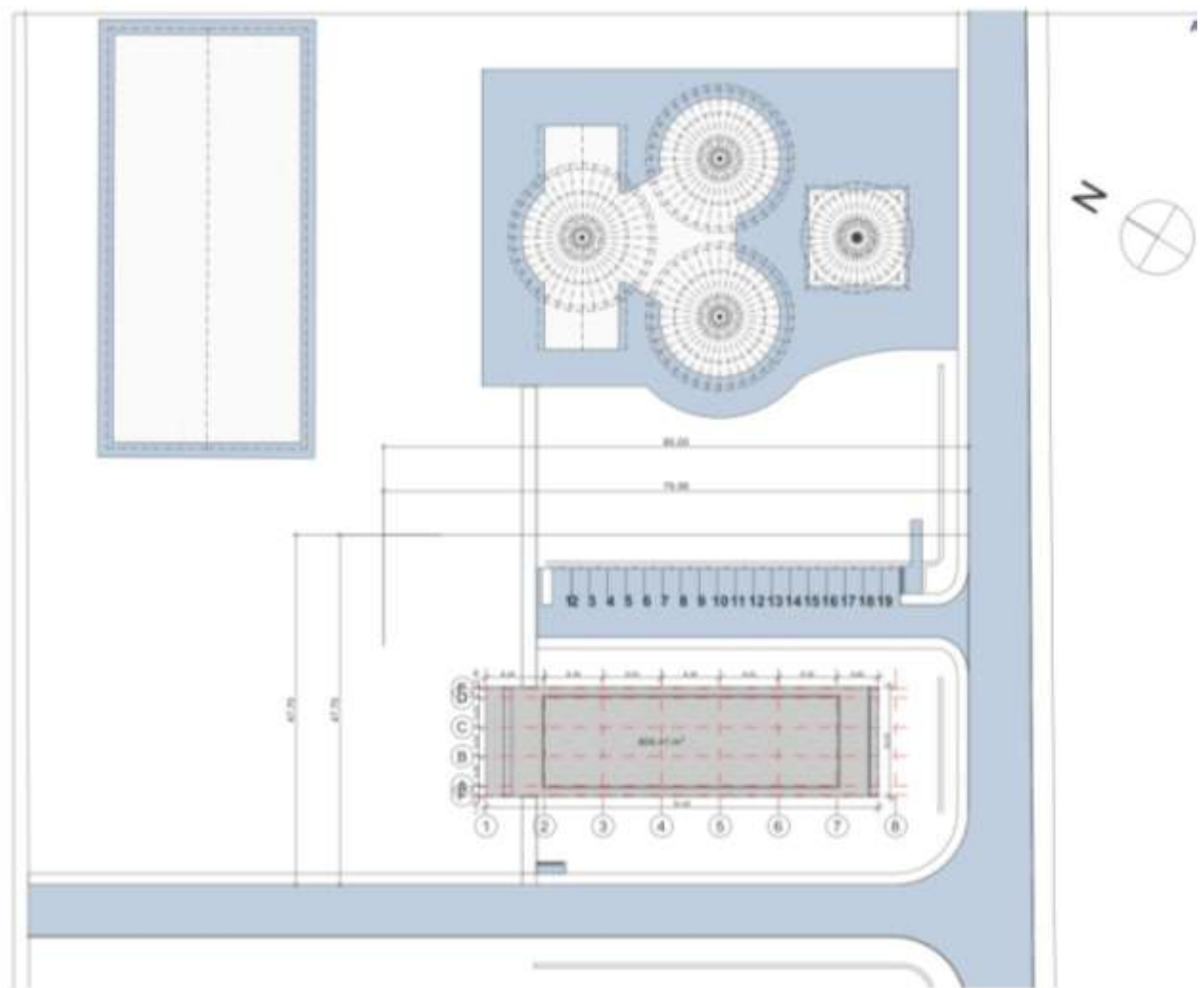


Fig.1.1. Schematic master plan of the designed object

Chang.	Sheet	No. of document	Signature	Date

402-Ai 17024 EN

Sheet.

4

The building is four-storey, rectangular in plan. In the central core of the building are concentrated vertical communications – stairs and elevators, toilets and meeting rooms. Along the perimeter is the so-called open office. On the ground floor there is an entrance hall, a cafeteria, toilets and technical rooms. The walls are completely glass (Fig.1.2).



Fig.1.2. General view of the designed office centre

The building is frame with a reinforced concrete monolithic frame, the core of the rigidity are the walls of the stairwell and elevator shaft.

The building is designed in accordance with Hungarian national building codes, which allow one and more escape stairs in the presence of automatic fire extinguishing and fire alarm systems in medium-rise buildings. There are at least two evacuation exits from the first floor.

The interiors of the office space and and meeting rooms have been designed.

						402-Ai 17024 EN	Sheet.
Chang.	Sheet	No. of document	Signature	Date			5

The roof is combined inversion, which provides an acceptable level of insulation and protection against overheating.

The modern image of the building contrasts with the historical environment, but is not disharmonious in relation to it.



Fig.1.3. The designed building of the office centre against the background of a nearby monument of industrial architecture – the buildings of the old gasholders

					402-Ai 17024 EN	Sheet.
Chang.	Sheet	No. of document	Signature	Date		6

2. ARCHITECTURAL STRUCTURES

Despite the rather expressive general shape of the building, reminiscent of the letter "S", the structural structure of the building is quite typical for office buildings. It is based on a monolithic reinforced concrete frame with a grid of columns 4.2x7.5 m and monolithic crossbarless floors. The expressive form of the building is given by constructions on a steel framework with a metal covering. Where these structures form loggias, a relatively thin (up to 12 cm) monolithic reinforced concrete slab is arranged on the metal frame.

The core of rigidity is the elevator shaft and the stairwell, whose walls are made of monolithic reinforced concrete.

The building has a basement, where technical facilities are located (Fig.2.1). It also allowed to deepen the core of rigidity into the ground in addition to the height of one floor, which gives the building structure additional rigidity and stability.

Foundations for columns – sleeve foundation, under the expanded core of rigidity the monolithic base plate is provided. The grille acts as a plinth, it is almost completely sunk into the ground.

The structural structure of all above-ground floors is identical, only the location of the metal frame forming the S-shaped element changes (Fig. 2.2, 2.3, 2.4, 2.5).

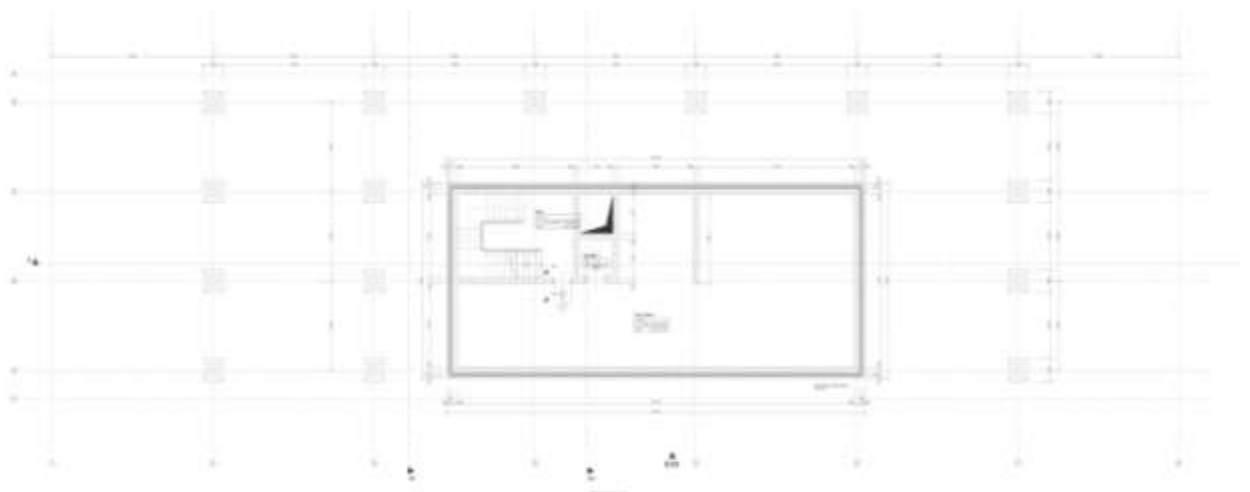


Fig.2.1. Schematic plan of the basement

					402-Ai 17024 EN	Sheet.
Chang.	Sheet	No. of document	Signature	Date		7

The roof of the building is flat, inverted (Fig. 2.6). Internal drainage. The roof over the reinforced concrete slab is 50 mm below the level of the metal cornice. In order to form a certain architectural image on the roof, no superstructures are provided. (Figs. 2.6, 2.7).

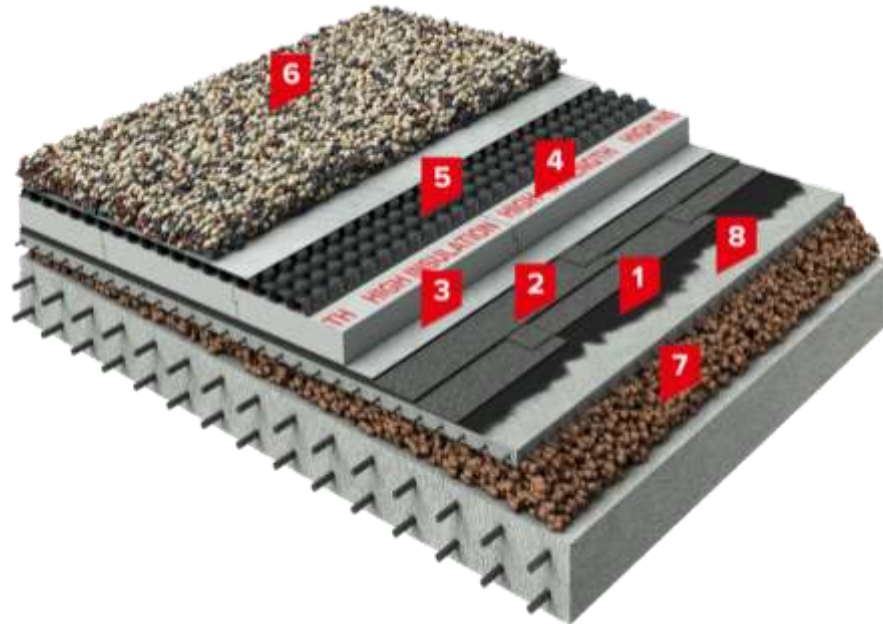


Fig. 2.6. Scheme of the inverted roof: 1 – bituminous mastic; 2 – two layers of bituminous insulating material on a synthetic basis; 3 – non-woven needle-punched geotextile separated layer; 4 – thermal insulation plates of extruded polystyren foam (200 mm); 5 – spiked geomembrane covered of thermally bonded non-woven geotextile; 6 – ballast layer (50 mm); 7 – slope-forming layer of lightweight concrete (40 – 90 mm); 8 – leveling reinforced concrete screed (50 mm)



Fig.2.7. Schematic longitudinal section of the office centre building

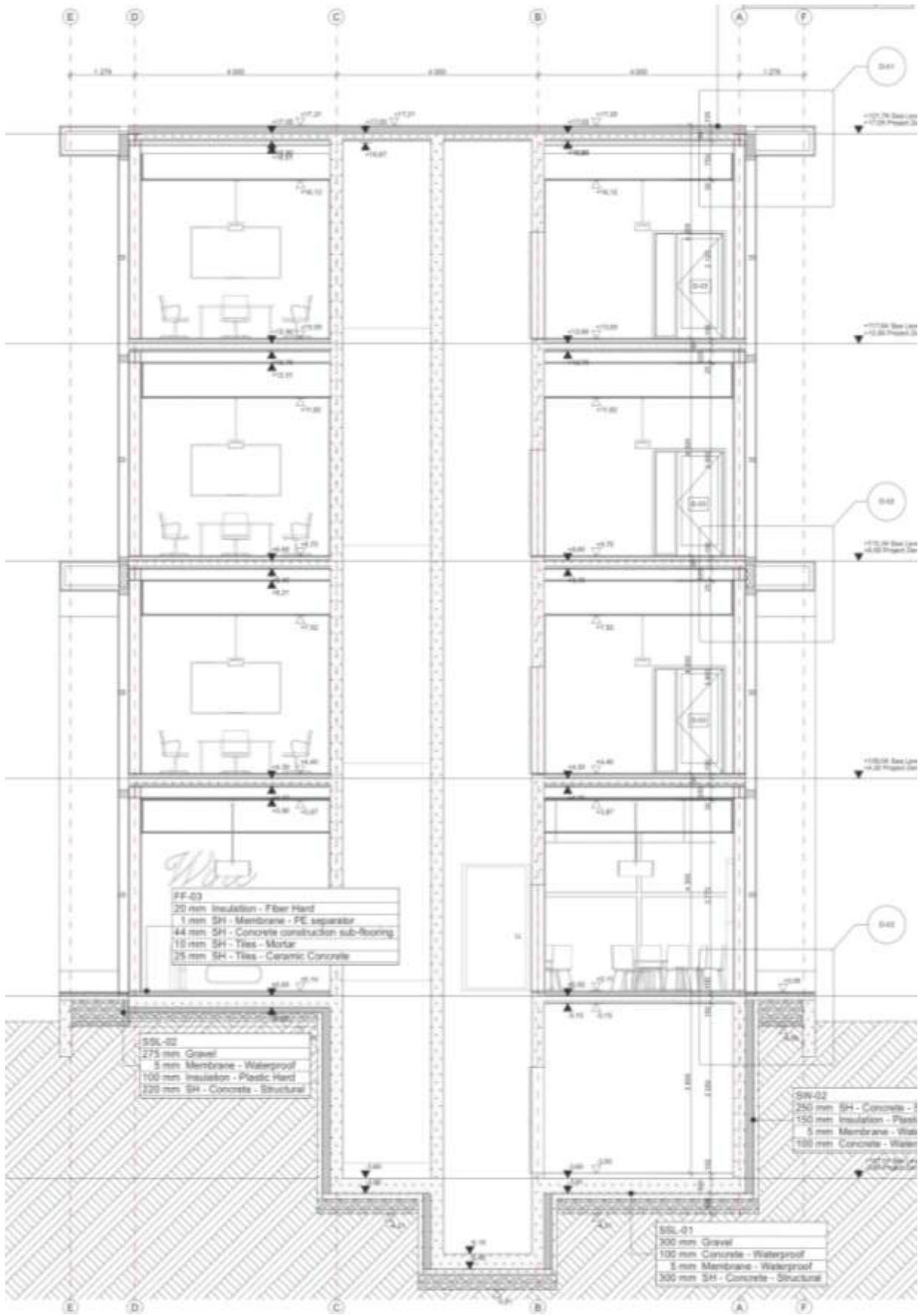


Fig.2.8. Schematic cross-section through elevator shafts of the office centre building

Chang.	Sheet	No. of document	Signature	Date

Access to the roof is provided through a hatch with a high level of sealing, the neck of which is raised 100 mm above the roof surface.

As enclosing constructions the hinged front system with fastening of glass like "spider" (fig. 2.9) is applied. The basis for fastening the elements of the system in addition to the reinforced concrete columns of the frame are additional steel half-timbered columns, which rest directly on the floor slabs.

Fastening of each sheet of glass is provided by four high-strength bolts, as shown in fig. 2.10, 2.11.

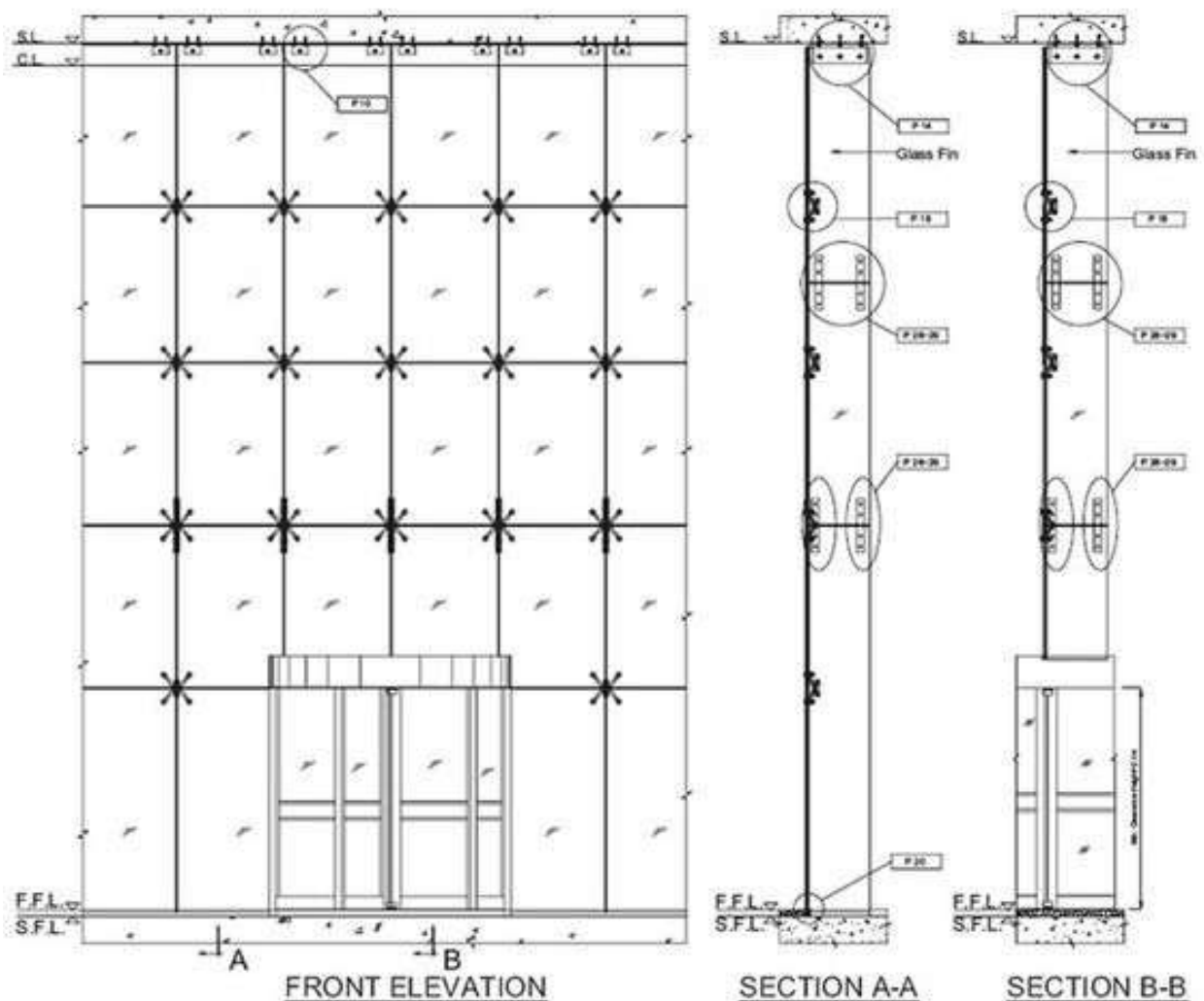


Fig. 2.9. General scheme of hinged translucent facade system (fragment of the front elevation, section A-A, section B-B)

Chang.	Sheet	No. of document	Signature	Date

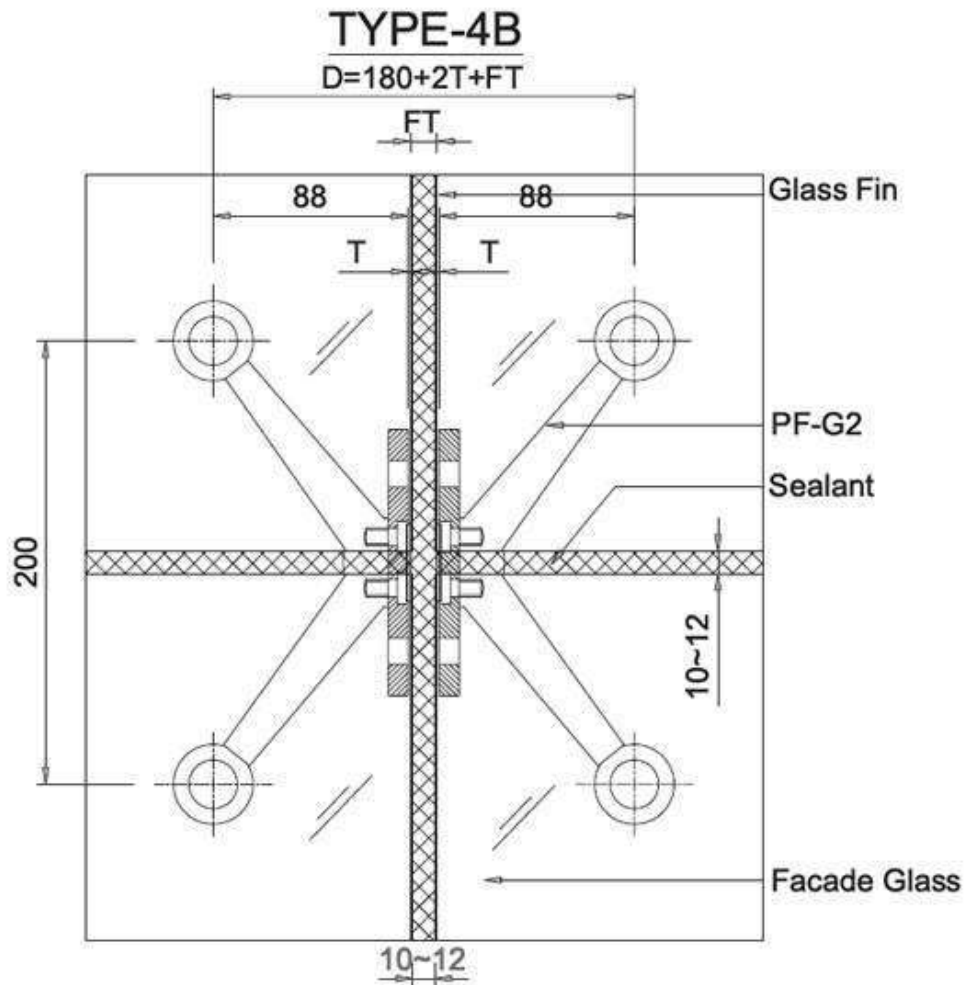


Fig.2.10. Detail part of glass sheets fastening (fragment of a facade)

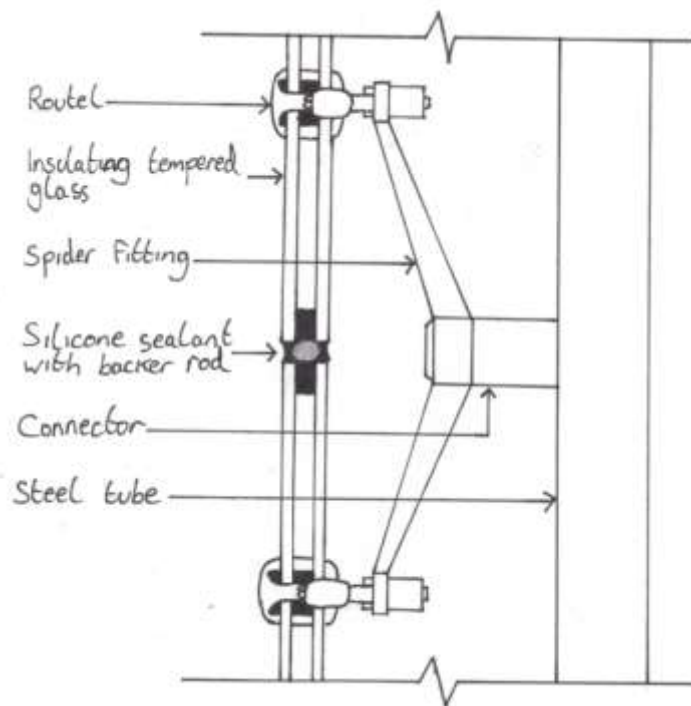


Fig.2.11. Detail part of glass sheets fastening (fragment of section)

Chang	Sheet	No. of document	Signature	Date

3. OCCUPATIONAL SAFETY

3.1. Analysis of harmful and dangerous factors that are taken into account when designing a public building

The designed object is an office centre in Budapest, Hungary.

Main design standards and ways to avoid harmful and dangerous factors are described in the regulations of the Ministry of Health Protection of Hungary.

The following harmful and dangerous factors are taken into account when designing and constructing a public building:

- unfavourable meteorological conditions of the production environment;
- non-compliance with regulatory requirements for storage of structures, insufficient artificial lighting of storage areas for materials and structures;
- movement of vehicles and their moving parts; movement of cargoes by load-lifting mechanisms over zones of performance of works;
- violation of the requirements for transportation and storage of explosive substances and materials;
- location of the workplace at a significant height relative to the earth's surface;
- location of workplaces in dangerous areas, closed volumes, at a significant height relative to the ground or well below ground level;
- probability of fires and explosions;
- increased voltage in the electrical circuit, the short circuit of which can occur through the human body;
- increased dustiness (gassiness) of the air at the working area;
- spontaneous collapse of brickwork elements;
- moving machines, their working bodies, structures and materials moved by them;
- noise and vibration, insufficient illumination of the workplace; adverse weather conditions;

										402-Ai 17024 EN	Sheet.
											13
Chang.	Sheet	No. of document	Signature	Date							

- insufficient artificial lighting of the work area during work in the dark;
- location of workplaces near the difference in height up to 1.3 m and more;
- moving machines and objects moving by them;
- collapse of elements of building structures and formwork;
- elevated temperature of the reinforcement bar (during the work on the preliminary thermal stress of the reinforcement bar);
- collapse of structural elements of buildings and structures;
- falling materials, tools;
- performance of works in the area near overhead power lines;
- insufficient rigidity of the structure, which can lead to its destruction during installation;
- lifting loads, the weight of which exceeds the load capacity of the mechanisms;
- overturning of machines, falling of their parts;
- increased contamination of the skin, overalls with chemicals, aerosol, dust;
- sharp edges, corners, pins, roughness on surfaces of finishing materials;
- hazardous substances;
- flammable substances;

3.2. Technical means and organizational measures provided in the project for elimination of action of harmful and dangerous production factors

3.2.1. Transport and loading and unloading works

The movement of trucks on production territories, construction sites, loading and unloading areas and access roads to them must be regulated by effective road signs and indicators.

Vehicles and equipment used for loading and unloading operations must correspond to the dimensions of the site and the nature of the cargo.

						402-Ai 17024 EN	Sheet.
							14
<i>Chang.</i>	<i>Sheet</i>	<i>No. of document</i>	<i>Signature</i>	<i>Date</i>			

Transport and loading and unloading operations must be performed in a mechanized manner. Compliance with the procedure and method of transportation, loading and unloading of goods and the relevant safety requirements is the supervisor's responsibility.

Loading and unloading platforms must have a slope of not more than 5°, the dimensions and coverage must correspond to the design of works and be placed in the assembly areas of cranes.

During loading and unloading operations, it is necessary to comply with the requirements of regulations on the limits of lifting and moving cargo and admission of employees to perform such work. As an exception, men are allowed to carry loads up to 50 kg on stretchers horizontally and at a distance of not more than 50 m.

In the case of placing trucks on loading and unloading platforms, the distance between trucks standing one behind the other must be not less than 1.0 m, and between cars standing side by side, not less than 1.5 m.

3.2.2. Electric welding and gas-flame works

Persons not younger than 18 years of age who have passed a medical examination, special training and testing of theoretical knowledge and practical skills in specific welding methods and certain types of welding work, passed the examination of the attestation commission and have the appropriate certificate are allowed to perform electric welding and gas-flame works.

Electric welders must have an electrical safety group not lower than II.

Workers who have violated electrical or fire safety requirements must pass an extraordinary knowledge test.

Welders who have passed a special medical examination, have experience of climbing work of at least one year, the category of the welder is not lower than III are allowed to perform electric welding and gas-flame works at a height of 5 m and more.

					402-Ai 17024 EN	Sheet.
						15
<i>Chang.</i>	<i>Sheet</i>	<i>No. of document</i>	<i>Signature</i>	<i>Date</i>		

least 5 m, and from explosive materials and equipment (gas generators, gas cylinders, etc.) – not less than 10 m.

When cutting structural elements, measures must be taken to prevent accidental collapse of the cut elements.

Workplaces of welders in the room during open arc welding must be separated from adjacent workplaces and passages by non-combustible and light-proof screens (screens, shields) with a height of not less than 1.8 m.

When welding outdoors, fences must be placed in the case of simultaneous operation of several welders near each other and in areas of heavy traffic.

If welding work is performed using liquefied gases (propane, butane) and carbon dioxide, the welders' workplaces must be equipped with local suction from below.

Welding places must be equipped with exhaust ventilation. Welding is not permitted if the local exhaust ventilation does not work.

Work in closed or confined tanks must be performed by a welder under a permit under the supervision of a supervisor with electrical safety qualification group II and above, who must be outside. The welder must use a seat belt with a safety rope, the end of which is with the supervisor.

3.2.3. Concrete works

Cement for concrete work must be stored in silos, hoppers, crates and other closed containers, preventing spraying during loading and unloading. The loading openings must be closed with protective grilles and the grilles must be locked.

When concreting floors, the formwork must be fenced along the entire perimeter. All openings in the working floor of the formwork must be covered with shields. If it is necessary for the openings to be permanently open, they must be closed by a lattice.

					402-Ai 17024 EN	Sheet.
Chang.	Sheet	No. of document	Signature	Date		17

Before starting concrete work, the manager must:

- check the stability, strength, serviceability of scaffolding, formwork structures, fences of working horizons;
- check the serviceability of containers, hoppers, concrete pumps, manipulators;
- provide employees with the necessary personal protective equipment.

During the operation of mixing machines, the cleaning of the pits for loading buckets should be carried out after secure fixing of the bucket in the raised position.

3.2.4. Site erection works

Other work and the presence of unauthorized persons are not allowed in the working area of site erection works.

Installation of structures of buildings (structures) must begin with a spatially stable part: the connecting element, the core of rigidity, and so on.

Installation of structures of each upper floor (tier) of a multi-storey building must be performed after fixing all installed mounting elements in accordance with the project and achieving concrete (mortar) joints of load-bearing structures of the required strength.

Painting and anticorrosive protection of constructions and the equipment in cases when it is carried out on a building site, it is necessary to do before raising of designs on a design mark. After lifting these structures, painting or corrosion protection may be performed only at the joints and joints of structures.

Unpacking and canning of the equipment to be installed must be performed in the area designated in accordance with the work execution program and schedule and carried out on special racks or gaskets with a height of at least 100 mm.

Tools and materials with explosion-hazardous properties are not allowed during reactivation of the equipment.

					402-Ai 17024 EN	Sheet.
Chang.	Sheet	No. of document	Signature	Date		19

During the installation of frame houses, the next tier of the frame may be installed only after the installation of enclosing structures or temporary fences on the previous tier.

Installation of stairways and platforms of buildings (structures), as well as freight and passenger lifts (elevators) must be carried out simultaneously with the installation of structures of the house. Fences must be installed immediately on mounted stairways.

When assembling structures of buildings or structures, installers must be on previously installed and securely fastened structures or means of paving.

It is forbidden for people to be on the elements of structures and equipment during their lifting and moving.

Hinged mounting platforms, ladders and other devices required to perform work at height must be installed on structures that are mounted before their lifting.

For transition of installers from one design to another it is necessary to apply ladders, transition bridges and ladders having protections.

People are not allowed to be under the elements of mounted structures and equipment.

Hinged metal ladders longer than 5 m must be enclosed with metal arches with vertical connections and securely attached to structures or equipment.

Lifting of workers on hinged ladders to height more than 10 m is allowed only in case of their equipment with platforms for rest not less than in each 10 m on height.

Stretchers for temporary fixing of the mounted designs need to be attached to reliable support. The number of dislocations, their material and cross section, methods of tension and fastening points are determined in the work execution program and schedule.

Stretch marks must be located outside the dimensions of traffic and construction machinery; they must not touch the sharp corners of other structures. Bending of extensions in places of their contact with other structures is allowed

					402-Ai 17024 EN	Sheet.
Chang.	Sheet	No. of document	Signature	Date		20

only after checking the strength and stability of these elements under the influence of forces from disengagement.

It is necessary to prevent the rocking and rotation of the elements of structures or equipment to be mounted during movement.

Slinging of structures and equipment must be performed by means that provide the possibility of remote slinging from the working horizon in the case when the height to the lock of the load-carrying means exceeds 2 m.

3.2.4.1. The order of site erection works performance

Prior to the installation work, it is necessary to determine the order of exchange of conditional signals between the person who manages the installation and the driver (motorist) of the crane. All signals are given by only one person (foreman of the assembly team, section leader, rigger-slinger). Only a worker who has noticed the danger can give a "Stop" signal.

If the structure to be mounted is out of sight of the crane operator, a reliable connection must be ensured between him and the installers. If this is not possible, intermediate signalling devices from among the slingers (riggers) are assigned.

In particularly important cases (in the case of lifting structures using complex rigging, the method of rotation, when pushing large and heavy structures; when lifting them by two mechanisms or more, etc.) signals should be given only by the supervisor.

Slinging of the mounted elements must be performed in the places indicated in the working drawings, and ensure their lifting and feeding to the installation site in a position close to the design.

It is forbidden to lift the elements of building structures that do not have mounting hinges or holes, markings and markings that ensure their proper slinging and installation.

During installation from vehicles, structural elements must not be carried over the driver's cab.

					402-Ai 17024 EN	Sheet.
Chang.	Sheet	No. of document	Signature	Date		21

Cleaning of structural elements to be installed from dirt and ice must be done before lifting.

Elements to be mounted must be lifted smoothly, without jerks, swings and rotations. Lifting loads (frozen, partially covered with soil, debris, connected to elements of other structures, etc.) that exceed the capacity of the assembly crane is prohibited.

It is necessary to lift constructions in two stages: at first on height of 20 – 30 cm, then, after check of reliability of slinging and assembly loops, to carry out the further lifting.

When moving structures or equipment, the distance from them to the parts of the mounted equipment, protruding structures must be horizontally not less than 1.0 m, and vertically – not less than 0.5 m.

It is forbidden to leave the raised elements of constructions and the equipment in the lifted condition during a break in work.

Elements of structures or equipment installed in the design position must be fixed so as to ensure their stability and geometric invariance.

Slinging of structural elements and equipment, which are installed in the design position, must be done after their permanent or temporary fixing in accordance with the project. It is not allowed to move the installed elements of structures or equipment after their unbundling without the use of installation equipment provided by the work execution program and schedule.

Until the end of verification and reliable fixing of the installed elements, it is not allowed to lean on them the structures located above, unless it is provided by work execution program and schedule.

It is forbidden to sling a load that is in a precarious position, as well as to move the device on a raised load.

When pushing (moving) structures and equipment with winches, the load capacity of brake winches and hoists should be equal to the load capacity of traction means, unless otherwise specified by the project.

					402-Ai 17024 EN	Sheet.
Chang.	Sheet	No. of document	Signature	Date		22

It is forbidden to perform installation work at height in open places at wind speeds of 15 mps and more, during ice, thunderstorms, fog, which makes it impossible to see within the work front.

When assembling horizontal cylindrical tanks consisting of individual tsars, it is necessary to use wedge gaskets and other devices that prevent involuntary rolling of tsars.

The aggregation assembly of those to be installed, structures and equipment must be performed in specially designated areas.

3.2.5. Masonry works

Erection of the walls (brickwork) of each upper floor of a multi-storey building must be carried out after the installation of floor structures, platforms and marches in the stairwells.

If it is necessary to erect brick walls without laying floors or coverings, it is necessary to use temporary fastenings of these walls.

When erecting walls higher than 7 m, it is necessary to use protective canopies or mesh fencing around the perimeter of buildings, which must meet the following requirements:

- the width of protective canopies or mesh fences must be at least 1.5 m with a slope to the wall so that the angle formed between the lower part of the building wall and the surface of the canopy was 110° , and the gap between the building wall and the plane of the canopy did not exceed 50 mm;
- protective canopies and mesh fences must withstand the snow load specified for this climatic region, and a concentrated load of at least 1600 N (160 kgf), applied in the middle of the run;
- the first row of protective canopies must be installed at a height of up to 6 m from the ground, have a solid deck and be stored until the end of the construction of the walls to full height.

						402-Ai 17024 EN	Sheet.
							23
<i>Chang.</i>	<i>Sheet</i>	<i>No. of document</i>	<i>Signature</i>	<i>Date</i>			

The second row of protective canopies must be installed at a height of 6 – 7 m above the first row and in the process of further construction of the wall it must be rearranged every 6 – 7 m and have a solid or mesh floor with a hole size (cells) not more than 50 x 50) mm.

Workers working on the installation, cleaning or removal of canopies must wear seat belts. Walking on canopies, using them as scaffolding, as well as stacking materials on them is prohibited.

Construction of walls up to 7 m high is allowed to be performed without the installation of protective canopies with the definition of a dangerous zone around the perimeter of the building.

3.2.5.1. Performing of masonry works

Erection of walls must be performed from the floor slabs or scaffolding. The design of scaffolding must meet the allowable load in accordance with the specified in the work execution program and schedule.

It is forbidden to make brick masonry from accidental scaffolding.

The height of each working tier of masonry is determined in such a way that the level of masonry after each bridging of the paving means was not less than two rows of masonry above the level of the new working flooring.

Erection of walls below and at the level of the floor, which is arranged from prefabricated reinforced concrete slabs, must be performed from the scaffolding installed on the lower floor.

It is forbidden to mount floor slabs without a pre-lined brick board two rows above the stacking slabs.

Stitching of external seams of bricklaying should be carried out from overlapping or scaffoldings after laying of each row of a laying. It is forbidden to perform this operation from a freshly laid wall.

When erecting the walls of buildings to a height of up to 0.7 m from the working deck, as well as during work at height, it is necessary to use the means of

					402-Ai 17024 EN	Sheet.
Chang.	Sheet	No. of document	Signature	Date		24

collective protection (fencing, catching devices) or safety belts specified in the work execution program and schedule.

During thunderstorms, snowfall, fog, which significantly impair visibility within the work front, or at wind speeds of 15 mps and more, it is prohibited to perform brick masonry of the outer walls of multi-storey buildings and structures.

For transportation by cranes of artificial materials – bricks, ceramic stones, small blocks – it is necessary to use inventory pallets, containers, load-grabbing devices which prevent falling of these elements during lifting, unpacking, selection for work.

Above the place of loading of the lift the protective double flooring from boards not less than 40 mm thick has to be established at height of 2.5 m – 5 m.

Arrangement of fastenings of eaves, formwork of brick lintels, arched structures must be performed in accordance with the technological documentation. Remove temporary fasteners, formwork of brick lintels and arched structures is allowed if the solution has reached the strength determined by the process map.

Erection of stone structures by freezing is allowed if the work execution program and schedule has instructions on the possibility, procedure and conditions of application of this method. Thus on solutions without chemical additives it is allowed to erect constructions no more than 4 floors and no more than 15 m high.

Structures that are in the process of natural thawing and hardening must be constantly monitored.

Preparation and processing of natural stones within the construction site must be performed in specially designated areas, where the stay of persons who do not perform this work is prohibited. Workplaces at a distance of less than 3 m from each other must be separated by protective screens, and workers must be provided with personal protective equipment.

It is necessary to process stones in gloves and glasses with unbreakable glass.

					402-Ai 17024 EN	Sheet.
						25
Chang.	Sheet	No. of document	Signature	Date		

well as to perform electrical installation work on the assembled and commissioned electrical installations without the permission of the commissioning organization.

During commissioning work on the installed electrical installation, the operating voltage on it can be applied by the operating personnel only after the introduction of the operating mode on the electrical installation and in the presence of a written request of the head of commissioning work.

Lifting, moving and installing disconnectors and other circuit breakers are performed in the "On" position, and devices equipped with return springs or free distribution mechanisms – in the "Off" position.

When adjusting the switches connected to the drives, care must be taken to prevent them from being switched on or off unintentionally or unintentionally.

Fuses of the control networks of the installed device must be removed for the entire time of installation.

Before the beginning of test works it is necessary on switching devices:

- bring the spring drives of switching devices to the inoperative position;
- switch off the operating circuits, alarm circuits, drive power circuits and heating circuits;
- close and lock the latches on the air supply pipes in the tank tanks and pneumatic actuators, as well as release the air available in them;
- hang posters on the keys and buttons of the remote control "Do not turn on. People are working".

Simultaneous operation on drives and switching devices is not allowed.

When working on power transformers, the terminals of the primary and secondary windings must be shorted and grounded for the entire duration of electrical work.

All terminals of voltage transformers and current transformers must be shorted and grounded during installation.

It is necessary to measure the voltage and density of the electrolyte in rubber gloves, respirators, standing on an insulating rubber carpet.

					402-Ai 17024 EN	Sheet.
Chang.	Sheet	No. of document	Signature	Date		27

It is necessary to check up a condition of pole clamps of accumulators in dielectric gloves. When tightening the bolts connecting the batteries to each other, it must be impossible to accidentally touch the key to the battery plates of different polarity.

Tightening wires through long boxes, boxes, pipes, blocks in which live wires are laid, as well as laying wires and cables in pipes, trays and boxes that are not fixed in accordance with the project, is not allowed.

Checking the insulation resistance of wires and cables with a megohmmeter must be performed by a link consisting of at least two people, one of whom has group IV, and the other group III on electrical safety. The ends of wires and cables that may be live during the test must be insulated and (or) fenced.

Testing of electric drives is allowed after communication between the personnel located in the room of the board or the control panel, and near electric drives.

During the adjustment of line and limit switches, sensors and other means of automation, the voltage of the power supply networks must be removed.

3.2.7. Installation of engineering equipment of buildings and structures

The elimination of deficiencies identified during the testing of the installed system and equipment must be performed on the basis of measures developed and approved by the customer and the general contractor together with subcontractors for the safety of these works.

Installation and removal of jumpers (connections) between installed and operating equipment, as well as connection of temporary installations to existing systems (electrical, steam, technical, etc.) without the written permission of the general contractor and the customer is not allowed.

					402-Ai 17024 EN	<i>Sheet:</i>
						28
<i>Chang.</i>	<i>Sheet</i>	<i>No. of document</i>	<i>Signature</i>	<i>Date</i>		

- equip posts at the rate of one post within the visibility of another, but at least every 200 m from each other to warn of the danger zone;
- determine the places and conditions of safe stay of persons engaged in testing;
- to ensure the readiness of fire extinguishers and maintenance personnel who may be involved in the fire;
- to provide illumination of workplaces not less than 50 lux;
- appoint persons responsible for carrying out the safety measures provided for in the test program.

Elimination of defects on the equipment detected during the tests must be performed after its shutdown and complete shutdown.

Simultaneous hydraulic tests of several pipelines mounted on the same supporting structures or trestle are allowed if the supporting structures or trestle are designed for the appropriate loads.

If the pipelines are located near residential or operating public or industrial buildings, their pneumatic tests can be carried out provided that the window and door openings of these buildings, which are located within the danger zone, must be closed by protective fences (shields, bars).

3.2.8.1. The order of performance of work

Inspection of the equipment after the tests is allowed to do after reducing the test pressure to the worker.

Protective fences (screens) must be installed in front of open hatches and fittings when testing equipment and piping after testing.

Tests of equipment and pipelines under load must be performed after tests of its idleness.

Testing of equipment is allowed only after timely warning of persons in the test area and obtaining the permission of the test manager.

During equipment tests it is not allowed:

					402-Ai 17024 EN	<i>Sheet:</i>
<i>Chang.</i>	<i>Sheet</i>	<i>No. of document</i>	<i>Signature</i>	<i>Date</i>		31

- remove protective fences;
- open hatches, fences, clean and lubricate equipment, touch its moving parts;
- check and eliminate defects in electrical circuits of electrical equipment and automation devices.

Before pneumatically testing the piping, the safety valves must be adjusted to the appropriate pressure.

Plastering of welds directly during tests of pipelines and equipment is not allowed.

The connection and disconnection of the air supply lines from the compressor to the test line is only permitted after the air supply has been stopped and the atmospheric pressure has been reduced.

3.2.9. Finishing works, arrangement of heat-insulating facade systems

Mixtures and mastics during finishing works should be prepared, as a rule, centrally. Preparation of them, as well as the mortar mixture on the construction site must be carried out in rooms equipped with supply and exhaust ventilation to prevent exceeding the maximum permissible concentrations of harmful substances in the air of the working area.

Contractors must be provided with harmless detergents and warm water.

It is not allowed to use paints and solvents of unknown composition, as well as substances and materials that do not have indicators of fire and toxic hazards.

It is not allowed to use paints and solvents of unknown composition, as well as substances and materials that do not have indicators of fire and toxic hazards.

Operation of mobile painting stations for preparation of paint mixes which are not equipped with forced ventilation is not allowed.

Workplaces for finishing works, arrangement of facade systems at height must be equipped with means of paving and stairs-ladders for lifting on them.

						402-Ai 17024 EN	Sheet.
Chang.	Sheet	No. of document	Signature	Date			32

The means of paving used during plastering, painting works, arrangement of facade systems in places under which other works are carried out or there is a passage, should be with floorings without backlashes.

Internal plastering works, and also installation of prefabricated eaves and modelled elements of internal rooms need to be carried out only from the platforms or mobile little tables established on a floor, or on continuous floorings. External plaster work must be performed from inventory vertical or suspended scaffolding.

When performing work on the internal stairwells, it is necessary to use special platforms (tables) with different lengths of support struts, which are installed on the steps. The working flooring must be horizontal and have parapet fences.

When working with harmful and flammable explosive materials that form explosive vapours, the room must be constantly ventilated, as well as for 1 hour after work, using natural or mechanical ventilation.

Places over which glass or facing works are performed must be fenced.

Glazing or facing works on several tiers on one vertical at the same time is forbidden.

It is forbidden to heat and dry the premises with roasters and other devices that emit fuel combustion products into the premises.

When working with solutions containing chemical additives, it is necessary to use personal protective equipment (rubber gloves, protective ointments, goggles) in accordance with the manufacturer's instructions, taking into account the composition of the substances used.

Respirators with safety goggles should be worn during dry cleaning of surfaces and other work related to the release of dust and gases, as well as during mechanized spackling and painting.

Wear safety goggles, rubber gloves and an acid-resistant apron with a bib when cleaning surfaces with acid or caustic soda.

Goggles must be worn when applying the mortar to a ceiling or vertical surface.

					402-Ai 17024 EN	Sheet.
Chang.	Sheet	No. of document	Signature	Date		33

3.2.9.1. The order of performance of work

Before the start of each shift, the serviceability of mortar pumps, hoses, dispensers and other equipment used during plastering must be checked. Manometers must be tested and sealed (pass state inspection). If the pressure on the manometers of the mortar pumps exceeds the permissible values specified in the passport, it is not allowed to work on the mortar pump.

It is not allowed to bend hoses at an acute angle and in the form of a loop, and also to tighten epiploons during work of plaster cars.

Workplaces of plaster station operators (nozzles) must be provided with two-way alarm (sound, light, radio, etc.) with workplaces of mortar pump drivers.

Operators who apply plaster to the surface with a nozzle and workers who spray the solution by hand must be provided with safety goggles.

When performing work on the preparation and application of paint mixtures, including imported, it is necessary to follow the requirements of the instructions of manufacturers on occupational safety.

All incoming components and ready-made paint mixtures must have hygienic certificates indicating fire and explosion hazards, terms and conditions of storage, the presence of harmful substances, recommendations on the method of application, the need for collective and individual protection.

It is not allowed to use solvents based on benzene, chlorinated hydrocarbons, methanol.

When performing painting works with the use of pneumatic units it is necessary:

- before the start of work to check up serviceability of the equipment by the pressure specified in the passport, the alarm system, existence of protective grounding;
- during performance of works not to allow bending of hoses and their contact to the moving steel ropes;

– switch off the air supply and close the air valve during a break in operation or in case of malfunctions of the unit mechanism.

Frozen hoses must be heated in a warm room. Do not heat the hoses with open flame or steam.

Containers with explosive materials (varnishes, enamels, nitro paints, etc.) during the break should be closed with corks or lids, and open with a tool that does not cause sparks. Paints and varnishes must be stored at workplaces in tightly closed containers, in quantities not exceeding the variable demand, or in quantities not exceeding the capacity of the paint tank or standard flask (40 l). Each container with paint, solvent must have a sticker or label with the exact name of the material and an indication of flammable properties.

Empty containers made of paints and varnishes must be tightly closed and stored in specially designated places.

When painting in rooms with the use of pneumatic devices, as well as quick-drying paints and varnishes containing harmful volatile solvents, workers must be provided by the employer with respirators of the appropriate type and goggles. Such work must be performed with open windows or artificial ventilation. However, the amount of gases, vapours and dust in the work area should not exceed the maximum permissible concentration of harmful substances.

For fans it is necessary to use electric motors in explosion-proof execution, and to take out switches in a safe place.

Fire works (welding, etc.) must be carried out at a distance of not less than 15 m from the open openings of the premises in which the work is performed using paints and varnishes containing volatile organic solvents.

Paint sprays and hoses at the end of the work shift must be cleaned and rinsed of paint residues.

At the workplace where the spray paint which is under a high pressure of a paint and varnish material is used, there should be warning inscriptions "Flammable", "High pressure!". The strainers of airless spraying systems must be removed and washed at least once a week.

					402-Ai 17024 EN	Sheet.
Chang.	Sheet	No. of document	Signature	Date		35

When painting by airless spraying, it is forbidden to use electric heating systems until the hydraulic system is completely filled.

During dry cleaning indoors, workplaces must be equipped with local dust extractors.

When mechanizing sawing of finishing blocks and plates it is necessary to use means of dust suppression – for example, water.

The spraying machine must be equipped with a wooden deck with a stream for water drainage. The flooring must be cleaned daily.

Lifting and transferring the glass to the place of its installation must be performed in a mechanized manner in a special container.

The lifting area must be fenced.

Cutting of glass must be carried out in separate heated rooms in a horizontal position on special tables.

Glazing works areas must be fenced and protected from falling glass with canopies or solid flooring.

3.3. Measures provided for in the project to ensure the safety of visitors and staff during the operation of the building

The biggest problem in the operation of office centres is to ensure the rapid evacuation of people from the building in case of emergencies. The most common emergency is a fire, and the current regulations provide for a set of measures that ensure rapid evacuation of people from the building, sufficient stability of load-bearing structures to prevent the destruction of the building during the evacuation, the use of construction and finishing materials that do not emit toxic substances, reducing the likelihood of fire through the use of fire-resistant materials and structures, appropriate solutions for engineering systems and equipment. A separate problem is to ensure the evacuation of persons belonging to low mobility groups. During the evacuation, such persons not only need more time to evacuate, but also significantly reduce the speed of evacuation of others.

					402-Ai 17024 EN	Sheet.
Chang.	Sheet	No. of document	Signature	Date		36

At least two evacuation exits are provided from any floor of the building.

The designed object creates conditions for visiting it by persons belonging to low mobility groups: entrances from ground level, width of entrance vestibules not less than 2.2 m, depth of entrance vestibules not less than 1.8 m, duplication of all stairs with ramps and / or elevators and lifts, door width not less than 0.9 m, width of stairs not less than 1.35 m, width of corridors not less than 2 m, availability of toilets specially adapted for persons with limited mobility.

The slope of the stairways on the evacuation routes does not exceed 1: 2.

The capacity of the premises leading to the dead-end corridor or hall does not exceed 80 people.

The width of passages, corridors and other horizontal escape routes is taken into account:

- one-moment flow density of evacuees, not more than 5 people per 1 m;
- minimum width of passages – 1 m;
- the minimum width of the corridor or passage leading to another building is 1.4 m.

References

1. Система стандартів безпеки праці. Охорона праці та промислова безпека в будівництві. Основні положення (ДБН А.3.2-2-2009): НПАОП 45.2-7.02-12. – [Чинний від 2012-04-01]. — К.: Мінрегіонбуд України. – 116 с. – (Державні будівельні норми України).

2. Орлов Г.Г. Охрана труда в строительстве. - М.: Высшая школа, 1984. – 346 с.

3. Русин В.И., Орлов Г.Г. Охрана труда в сельском строительстве. – М.: Агропромиздат, 1987. – 252 с.

4. Будинки адміністративного та побутового призначення: ДБН В.2.2-28:2010. – Офіц. вид. – [Чинні від 2011-10-01]. – К. : Мінрегіонбуд

					402-Ai 17024 EN	Sheet.
Chang.	Sheet	No. of document	Signature	Date		37

України, 2011. – III, 28 с. – (Державні будівельні норми).

5. Громадські будинки та споруди. Основні положення: ДБН В.2.2-9:2018. – Офіц. вид. – [Чинні від 2019-06-01]. – К. : Мінрегіон України, 2019. – 47 с. – (Державні будівельні норми).

6. Інклюзивність будівель і споруд. Основні положення: ДБН В.2.2-40:2018. – Офіц. вид. – [Чинні з 2019-04-01] – К. : Мінрегіон України, 2018. – 70 с. – (Державні будівельні норми).

7. Пожежна безпека об'єктів будівництва: ДБН В.1.1-17:2016. – Офіц. вид. – К. : Мінрегіон України, 2017. – 44 с. – (Державні будівельні норми).

					402-Ai 17024 EN	Sheet.
Chang.	Sheet	No. of document	Signature	Date		38